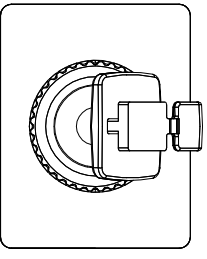
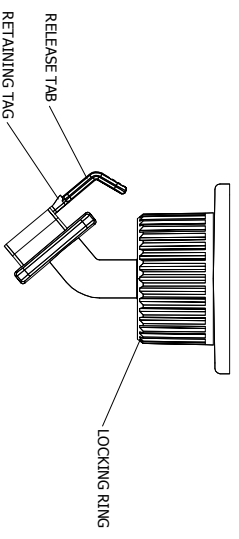
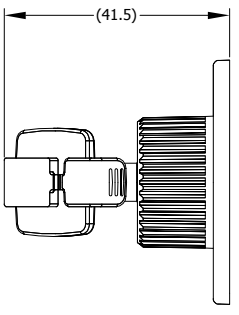
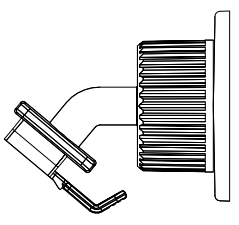
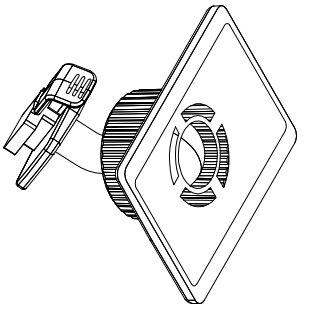
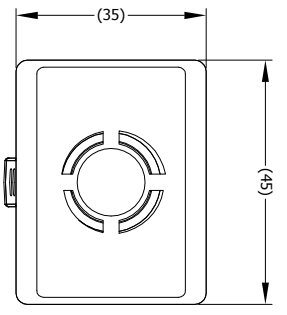


Revision Notes			
R1 -			
APR -	Drawn -	Checked -	Approved -
			Date -



- NOTES:
1. FINISH: CLEAR
 2. FOR GIFTBOX LABEL, REFER TO LATEST REVISION OF DRAWING BE-002840-XX-14.
 3. SUPPLIED WITH ADHESIVE PAD (4880).
 4. SUPPLIED IN A CLEAR BAG

PROPRIETARY NOTICE
 THIS DESIGN AND TECHNICAL INFORMATION APPEARING ON THIS DRAWING IS THE PROPERTY OF BRIGADE ELECTRONICS, AND IS DISCLOSED IN CONFIDENCE. IT IS NOT TO BE COPIED, REPRODUCED, REVEALED TO OR EXPLOITED BY OTHERS, EITHER IN WHOLE OR IN PART WITHOUT THE EXPRESS WRITTEN CONSENT OF BRIGADE ELECTRONICS.

BRIGADE
 www.brigade-electronics.com

Assembly PI Approval KLEE - 25/03/14		Approved by SMA TT HEWS		Checked by R.BATES		Drawn by BCHILD S	
Angle of Projection Third Angle		Units mm	Scale N/A	Released 25/03/14	Assembly Ref EDR-101-BKT		
		Status RELEASED		Part No 4508			
				BE-002822-00-14			